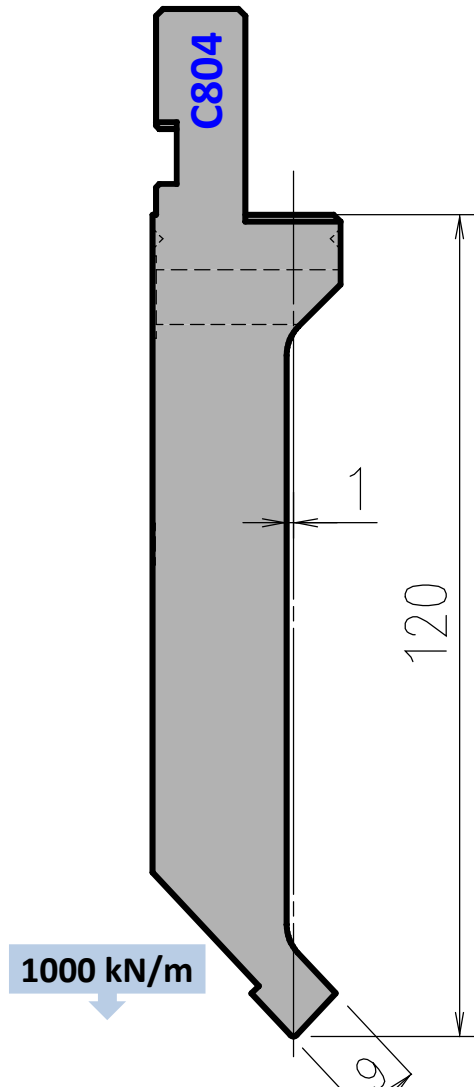


# AFH ATC Standard Punch C804 (9 mm tip)



Tool angle	Tip radius	Length mm	Item No.	Weight Kg
86°	R0.6	200 Div.	C8048065	16,3
		Short Div.	C8048066	10,1
		Ears	C8048067	3,8
	R3	200 Div.	C8048305	16,3
		Short Div.	C8048306	10,1
		Ears	C8048307	3,8

