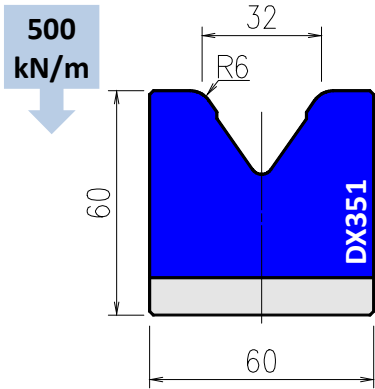
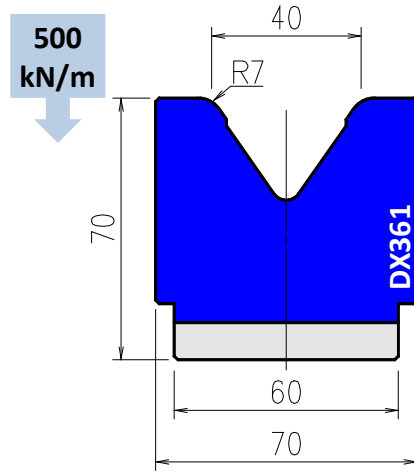


# V32



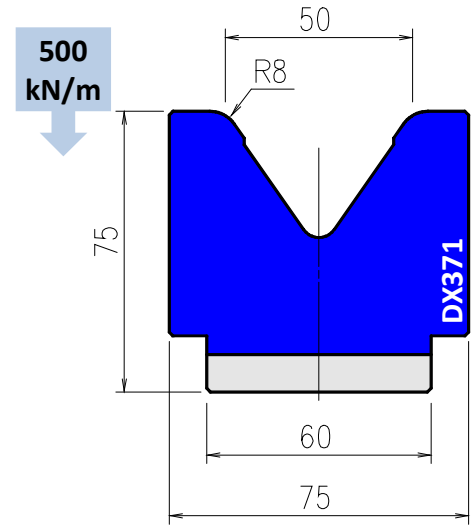
Tool angle	L mm	Item No.	Weight Kg
70°	835	DX351001	8,4
	415	DX351002	4,2

# V40



Tool angle	L mm	Item No.	Weight Kg
70°	835	DX361001	9,2
	415	DX361002	4,6

# V50



Tool angle	L mm	Item No.	Weight Kg
70°	835	DX371001	9,5
	415	DX371002	4,7