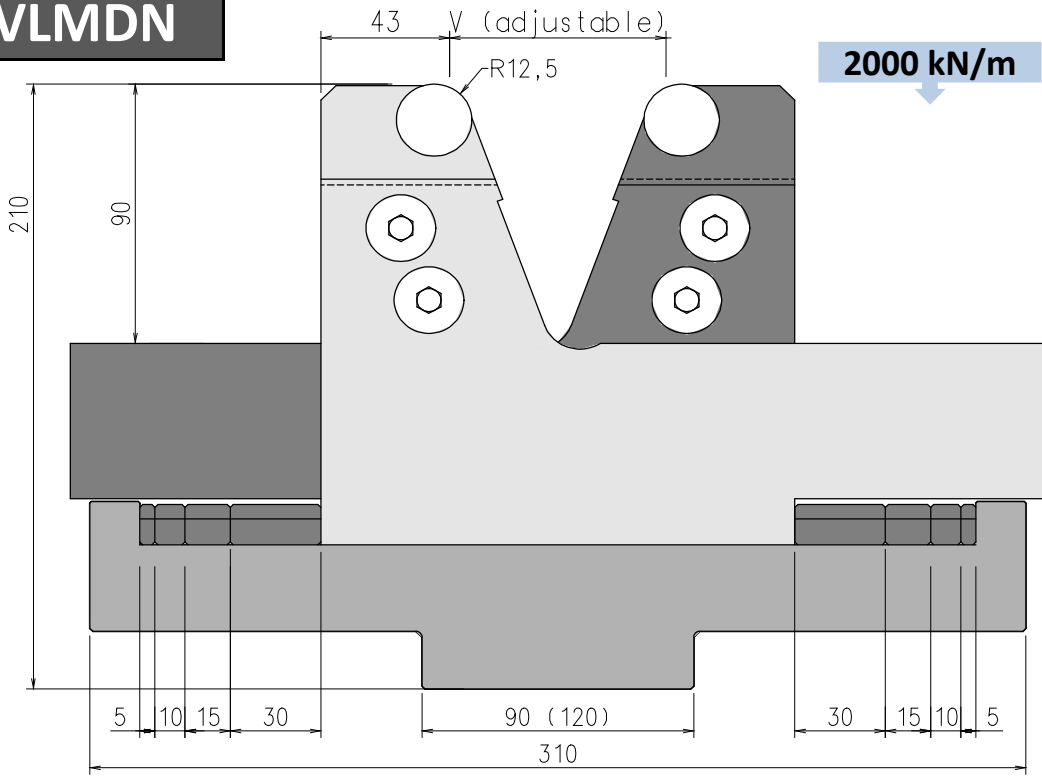
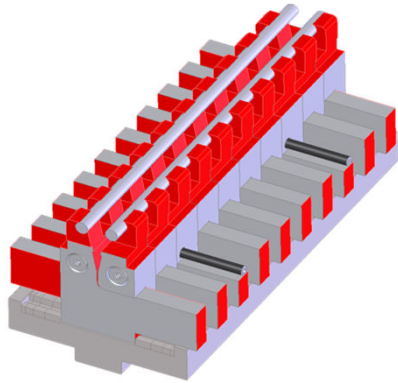
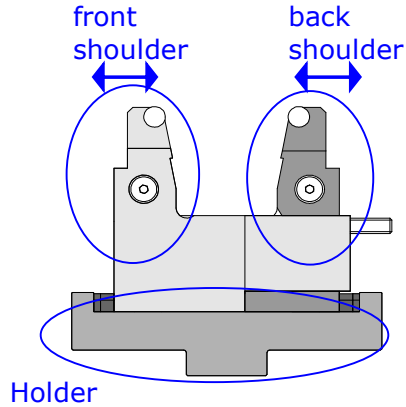


Adjustable die - type VLMDN



Minimum die angle	60°
V-Opening	adjust. each 10mm ca. V70 - V190
Sheet thickness	3 - 20 mm
Shoulder Radius	R12,5 mm
Die length	500 mm
Max. allowable tonnage	2000 kN/m
Hardness Radius inserts	HRC 60
Spacers:	5; 10; 15; 30

	for 90mm beam		for 120mm beam	
	Item No.	Weight Kg	Item No.	Weight Kg
Set	DN2-500S	137,1	DN3-500S	44,6
only Holder	DN2-500H	44,6	DN3-500H	44,6

	Item No.	Weight Kg
only Die	DN 500D	86
only spacers	DN-500I	6,4
only strip	ACDN150	0,1