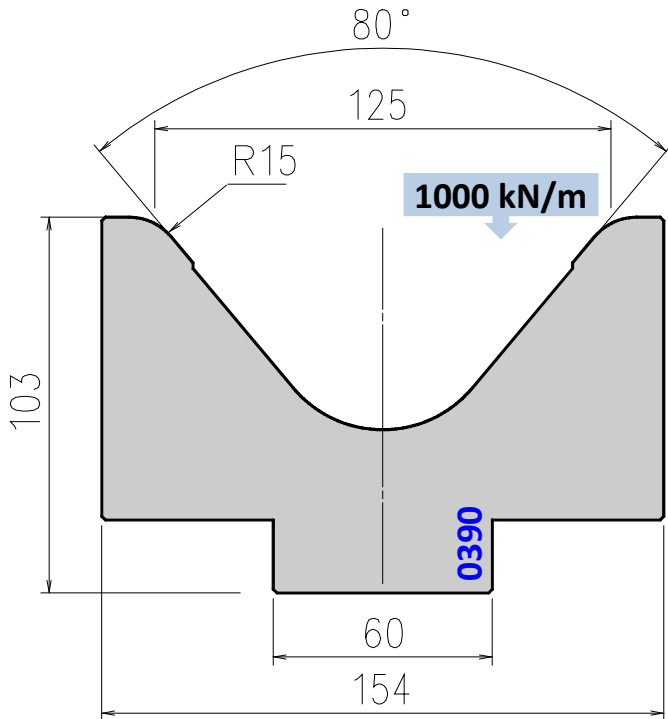


Large V125 Die 80°



Hardness: 52-56 HRC; inductionhard.; Depth: 2mm

Die 039015 replaces old die Z0125

Tool angle	Length mm	Item No.	Weight Kg
80°	835	ED0390151	62,0
	415	ED0390152	30,8