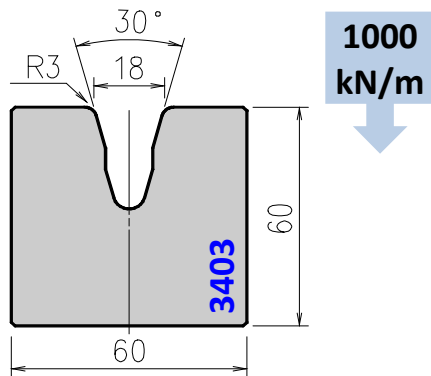


# Large V18 Die 30°



Die 340330 replaces old die 34000

Tool angle	Length mm	Item No.	Weight Kg
30°	835	ED3403301	21,4
	415	ED3403302	10,6
	800 sect.	ED3403303	20,5