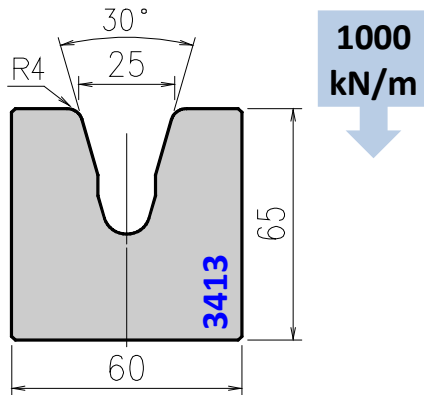


Large V25 Die 30°



Die 341340 replaces old die 34100

Tool angle	Length mm	Item No.	Weight Kg
30°	835	ED3413401	21,7
	415	ED3413402	10,8
	800 sect.	ED3413403	20,8