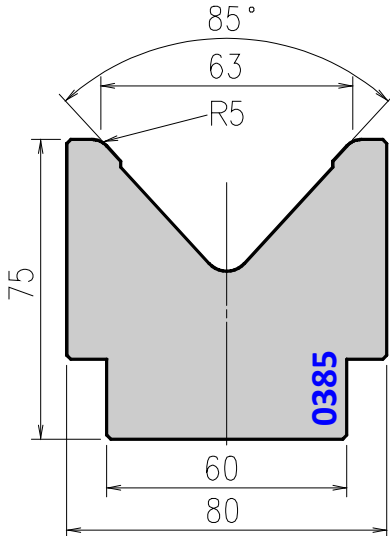


# Large V63 Die 85°



1000 kN/m

Hardness:  
52-56 HRC  
inductionhard.  
Depth: 2mm

Die 038550 replaces old dies 03800 and Z0063

Tool angle	Length mm	Item No.	Weight Kg
85°	835	ED0385501	29,1
	415	ED0385502	14,4
	800 sect.	ED0385503	27,8