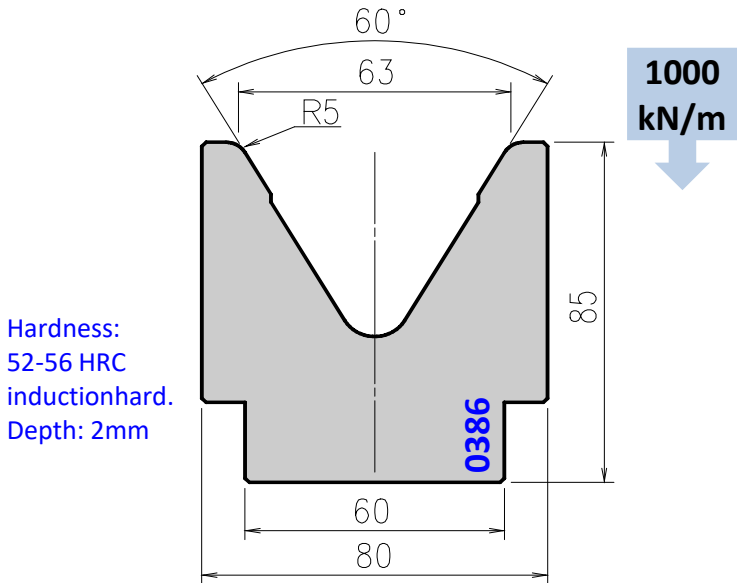


# Large V63 Die 60°



Die 038650 replaces old die 03806

Tool angle	Length mm	Item No.	Weight Kg
60°	835	ED0386501	30,2
	415	ED0386502	15,0