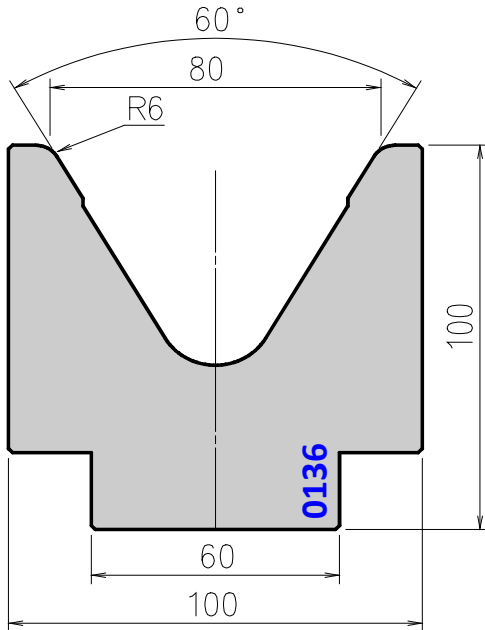


# Large V80 Die 60°



1000  
kN/m

Hardness:  
52-56 HRC  
inductionhard.  
Depth: 2mm

Die 013660 replaces old die 01306

Tool angle	Length mm	Item No.	Weight Kg
60°	835	ED0136601	42,0
	415	ED0136602	20,9