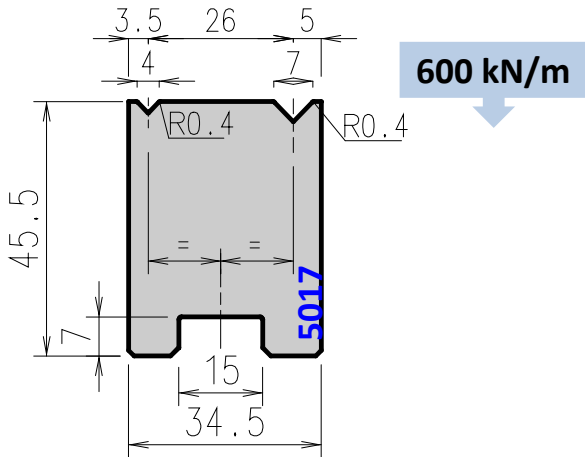


# 2V Reversible Die (V4x7-88°)



Die 501704 replaces old die 50196

Tool angle	Length mm	Item No.	Weight Kg
<b>88°</b>	835	ED 5017041	9,5
	415	ED 5017042	4,7
	800 sect.	ED 5017043	9,1