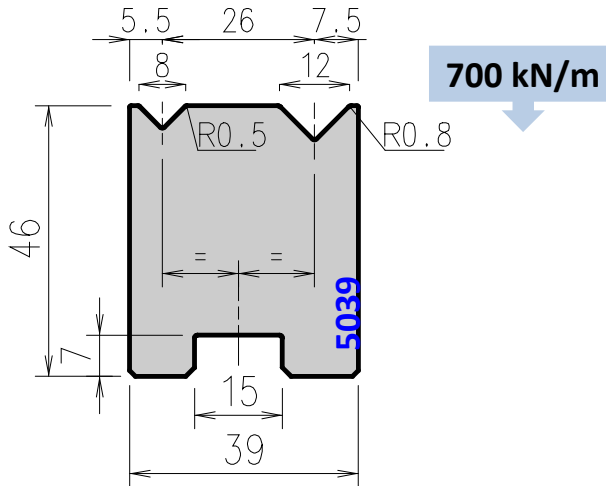


# 2V Reversible Die (V8x12-90°)



Die 503905 replaces old die 50390

Tool angle	Length mm	Item No.	Weight Kg
<b>90°</b>	<b>835</b>	<a href="#">ED5039051</a>	10,7
	<b>415</b>	<a href="#">ED5039052</a>	5,3
	<b>800 sect.</b>	<a href="#">ED5039053</a>	10,3