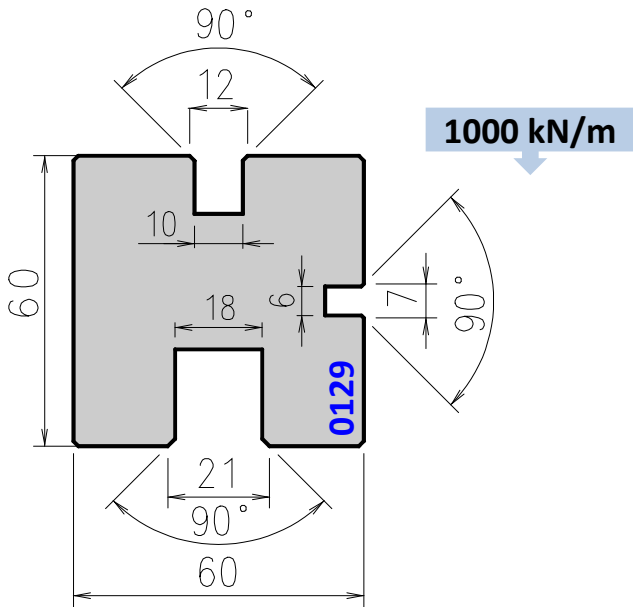


3U - 90°



Hardness: 28-32 HRC; Throughhardened;
Die 012900 replaces old die 01200

Tool angle	Length mm	Item No.	Weight Kg
90°	835	ED0129001	20,2
	415	ED0129002	10,1