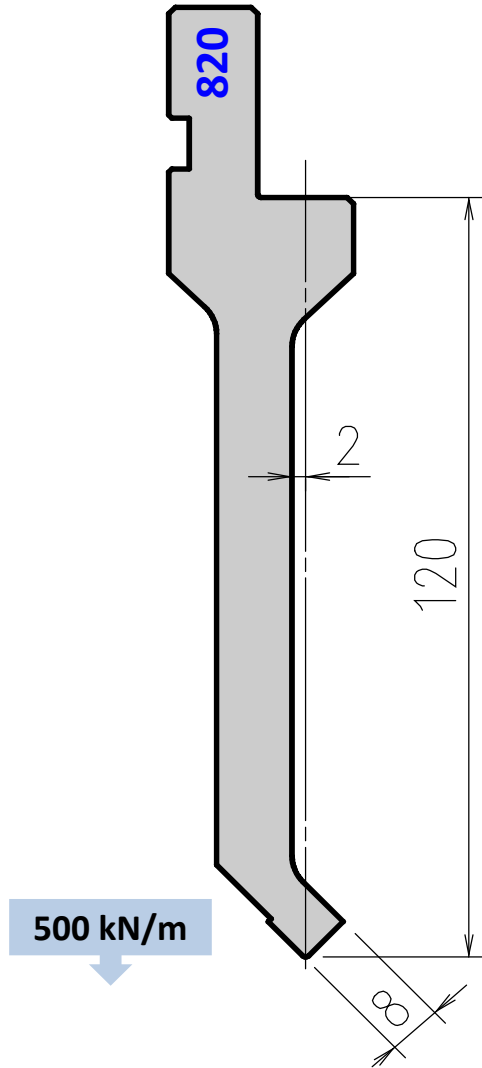


# AFH Sash Punch 820 ( 8 mm tip )

Punch 820 replaces old punches 202; A20; A21



Tool angle	Tip radius	Length mm	Item No.	Weight Kg
<b>86°</b>	<b>R0.6</b>	835	ES8208061	11,7
		415	ES8208062	5,8
		800 Sect.	ES8208063	10,5
<b>86°</b>	<b>R1.5</b>	835	ES8208151	11,7
		415	ES8208152	5,8
		800 Sect.	ES8208153	10,5
<b>88°</b>	<b>R0.6</b>	835	ES8207061	11,7
		415	ES8207062	5,8
		800 Sect.	ES8207063	10,5

