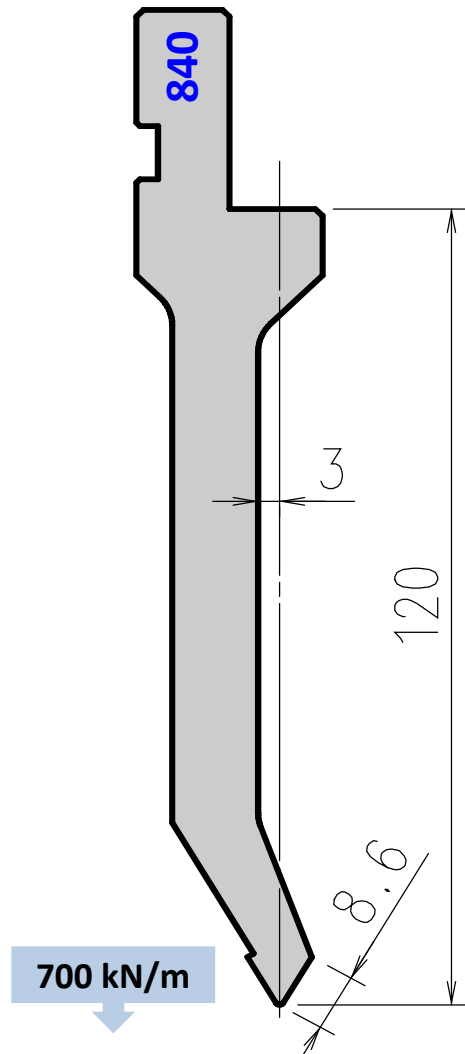


AFH Acute Sash Punch 840



Tool angle	Tip radius	Length mm	Item No.	Weight Kg
60°	R0.6	835	ES8406061	12,4
		415	ES8406062	6,2
		800 Sect.	ES8406063	11,0
	R1.5	835	ES8406151	12,4
		415	ES8406152	6,2
		800 Sect.	ES8406153	11,0

