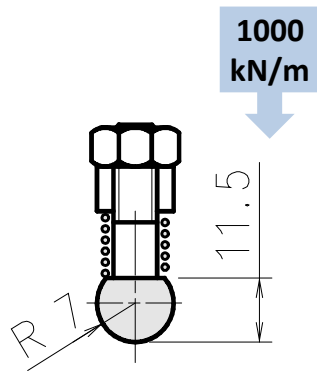


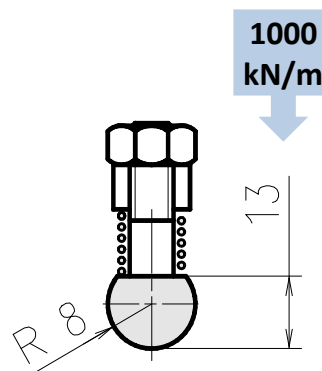
R7 Insert



Insert 017007 replaces old insert 01707

L mm	Item No.	Weight Kg
835	ES 0170071	1,0
415	ES 0170072	0,6

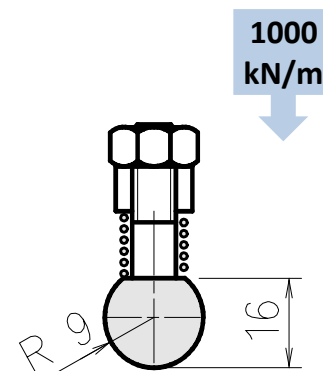
R8 Insert



Insert 017008 replaces old insert 01708

L mm	Item No.	Weight Kg
835	ES 0170081	1,5
415	ES 0170082	0,8

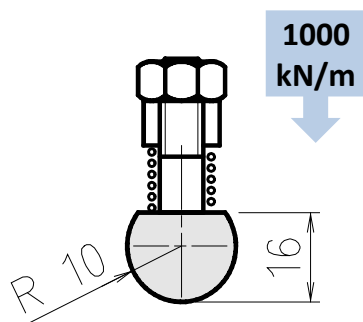
R9 Insert



Insert 017009 replaces old insert 01709

L mm	Item No.	Weight Kg
835	ES 0170091	1,9
415	ES 0170092	0,9

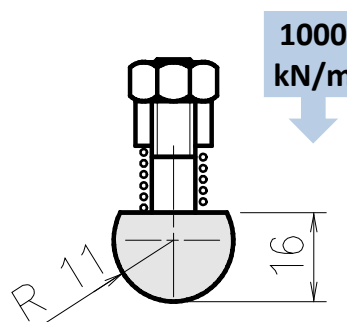
R10 Insert



Insert 017010 replaces old insert 01710

L mm	Item No.	Weight Kg
835	ES0170101	2,1
415	ES0170102	1,1

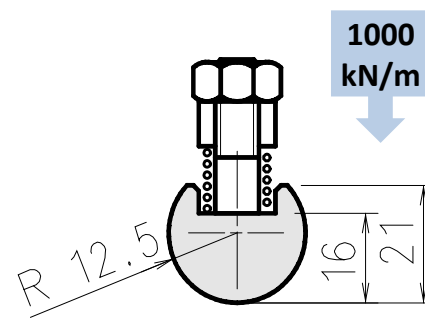
R11 Insert



Insert 017011 replaces old insert 01711

L mm	Item No.	Weight Kg
835	ES0170111	2,3
415	ES0170112	1,2

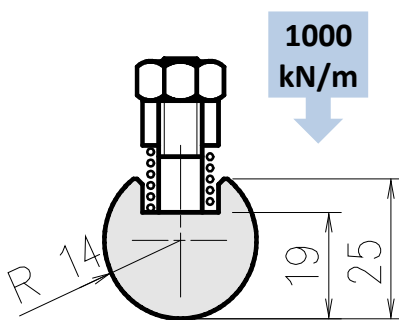
R12,5 Insert



Insert 017012 replaces old insert 01712

L mm	Item No.	Weight Kg
835	ES0170121	2,7
415	ES0170122	1,4

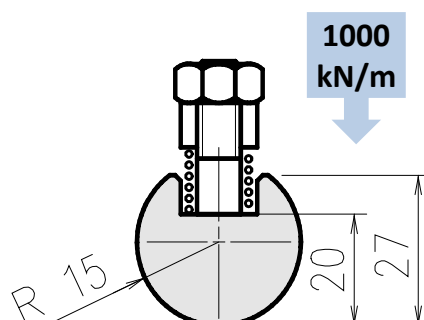
R14 Insert



Insert 017014 replaces old insert 01714

L mm	Item No.	Weight Kg
835	ES0170141	3,6
415	ES0170142	1,8

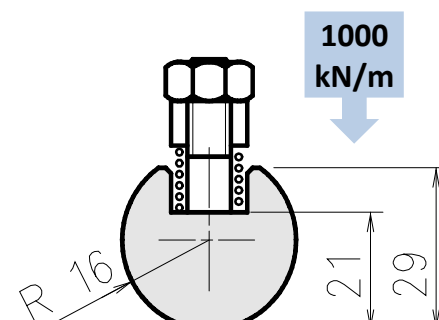
R15 Insert



Insert 017015 replaces old insert 01715

L mm	Item No.	Weight Kg
835	ES0170151	3,7
415	ES0170152	1,8

R16 Insert



Insert 017016 replaces old insert 01716

L mm	Item No.	Weight Kg
835	ES0170161	4,6
415	ES0170162	2,3

Note: Use Radius Inserts with Punch Holder EH 0150 or EH 0160. Mounting hardware is included.