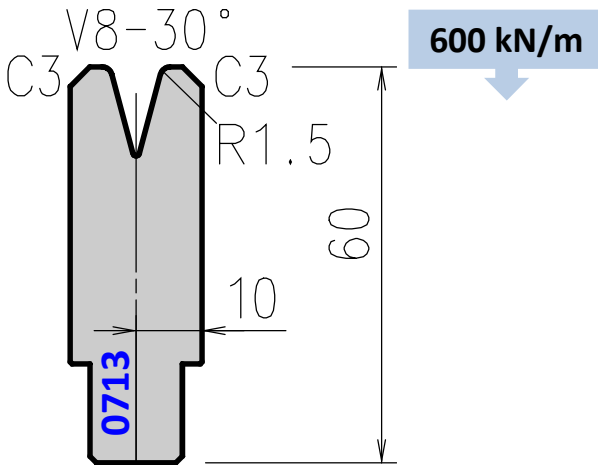


# AFH Standard Die 0713 (V 8)



Die 0713 replaces old dies 14100 and A7103

Tool angle	Length mm	Item No.	Weight Kg
<b>30°</b>	835	ED0713151	6,8
	415	ED0713152	3,4
	800 sect.	ED0713153	6,5