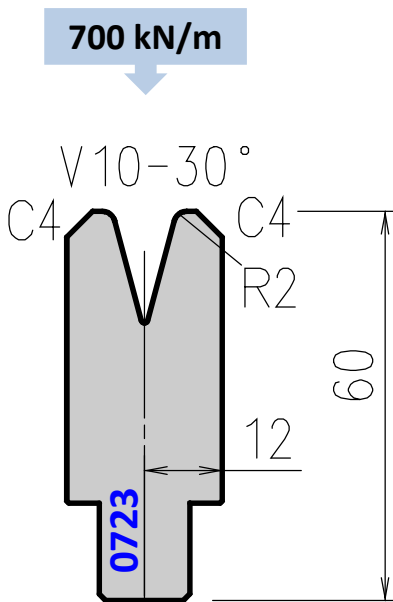


AFH Standard Die 0723 (V 10)



Die 0723 replaces old dies 14106 and A7203

Tool angle	Length mm	Item No.	Weight Kg
30°	835	ED0723201	7,7
	415	ED0723202	3,8
	800 sect.	ED0723203	7,4