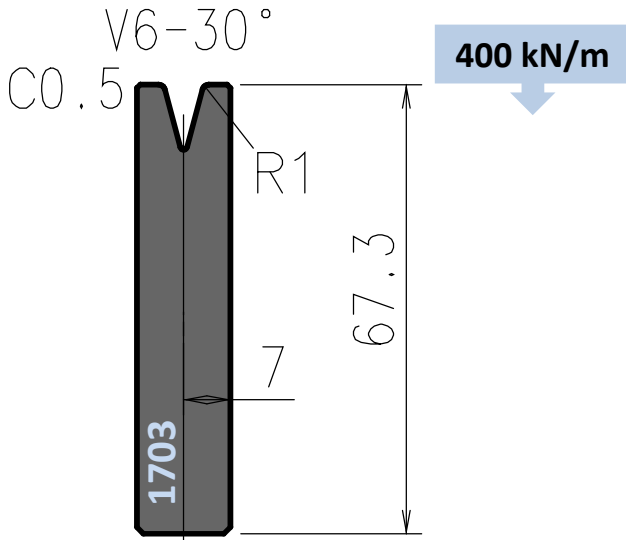


Staged Die 1703 (V 6)



Die 1703 replaces old die S7030

Tool angle	Length mm	Item No.	Weight Kg
30° staged	835	ED1703101	5,9
	415	ED1703102	3,0
	800 sect.	ED1703103	5,7