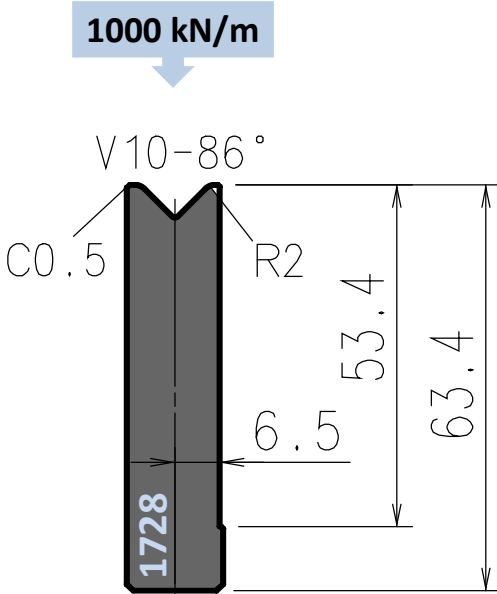


# Staged\* Die 1728 (V 10)



Die 1728 replaces old die S728

Tool angle	Length mm	Item No.	Weight Kg
<b>86°</b> staged	835	<a href="#">ED1728201</a>	5,4
	415	<a href="#">ED1728202</a>	2,7
	800 sect.	<a href="#">ED1728203</a>	5,2