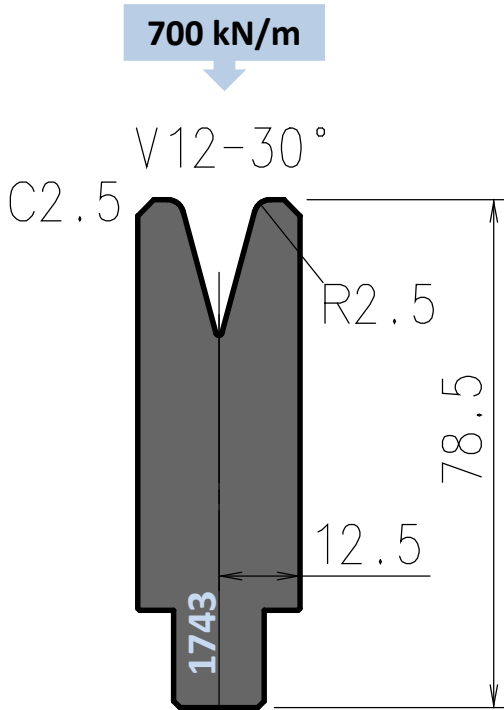


Staged* Die 1743 (V 12)



Die 1713 replaces old die S7430

Tool angle	Length mm	Item No.	Weight Kg
30° staged	835	ED1743251	10,5
	415	ED1743252	5,2
	800 sect.	ED1743253	10,0