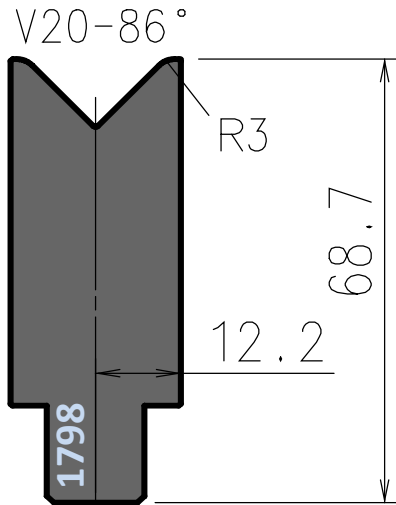


# Staged\* Die 1798 (V 20)

1000 kN/m



Die 1798 replaces old die S798

Tool angle	Length mm	Item No.	Weight Kg
86° staged	835	<a href="#">ED1798301</a>	8,9
	415	<a href="#">ED1798302</a>	4,4
	800 sect.	<a href="#">ED1798303</a>	8,5