

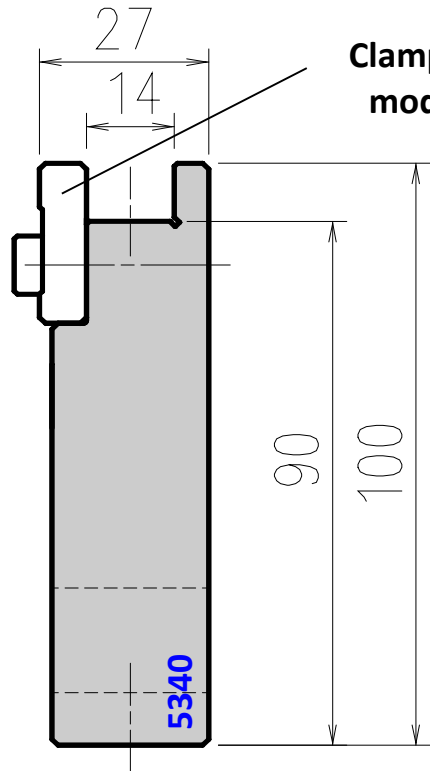
Die Holder 5340

Holder 5340 replaces old holder 534

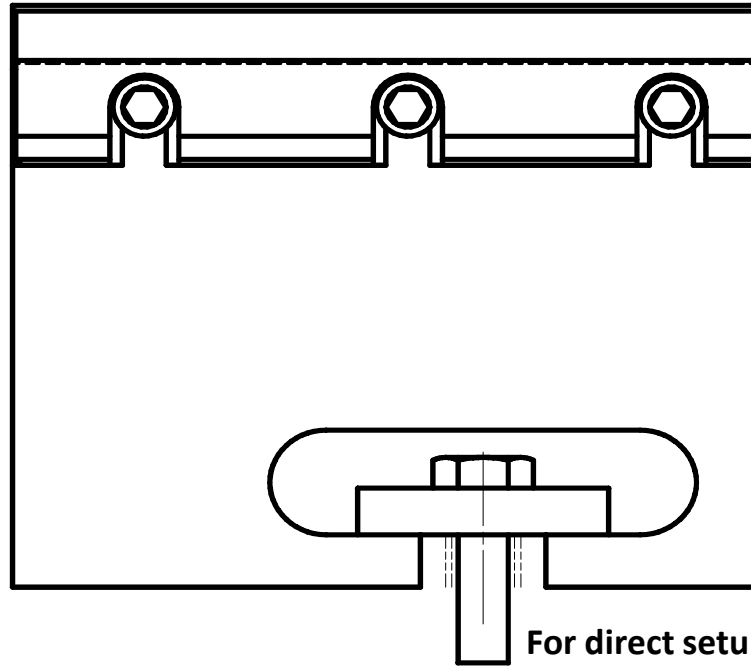
Weight

Length mm	Item No.	Kg
L=1050mm	EH5340001	18,8
S=450mm	EH5340002	8,0

All mounting hardware is included.

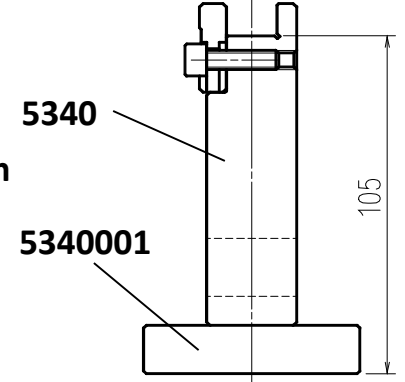


Clamp piece usable for insert mode and for clamp mode



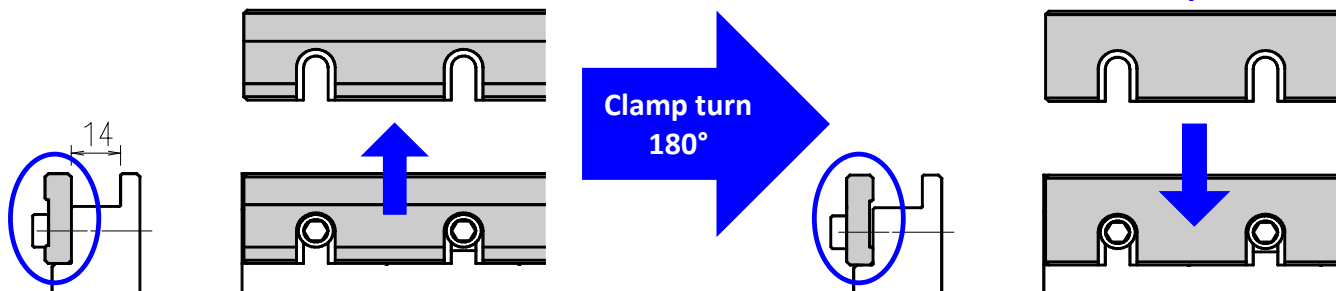
1000 kN/m

For direct setup on lower beam
(or use with 60mm support)



Insert mode

Clamp mode



Clamp turn
180°