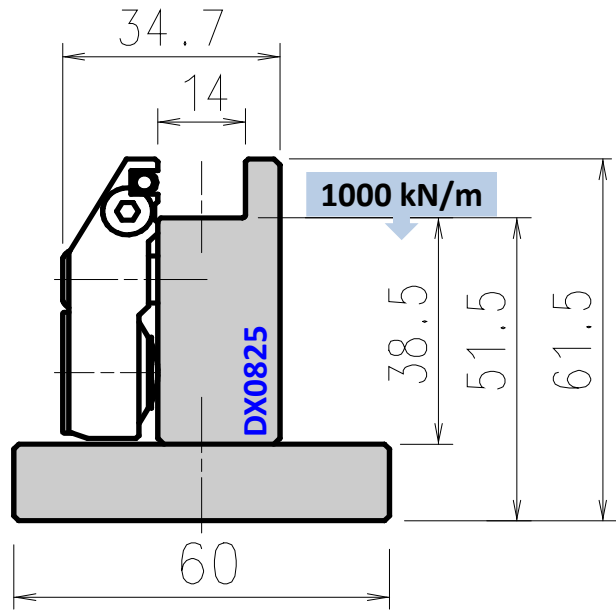
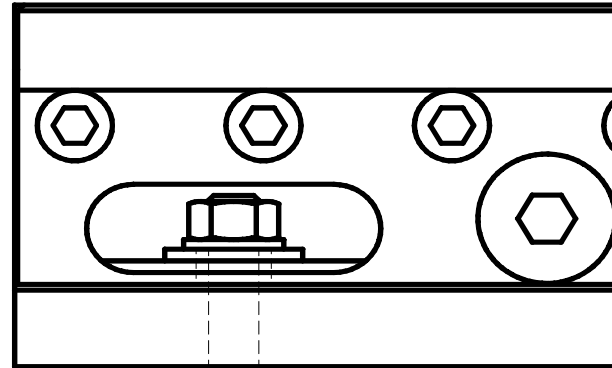


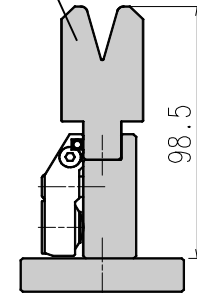
Die Holder FEAT



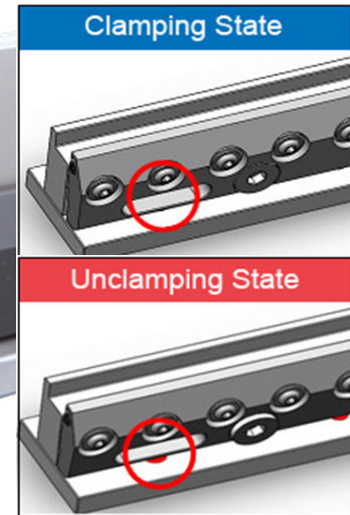
Length mm	Item No.	Weight Kg
L=850mm	DX082501	13,5
S=510mm	DX082502	8,0



ED 0743251



Dies are clamped by rotating 5 bolts by 180°.



Clamping check for security: An indicator (red circle) appears in unclamping state. (2 indicators per clamp plate)