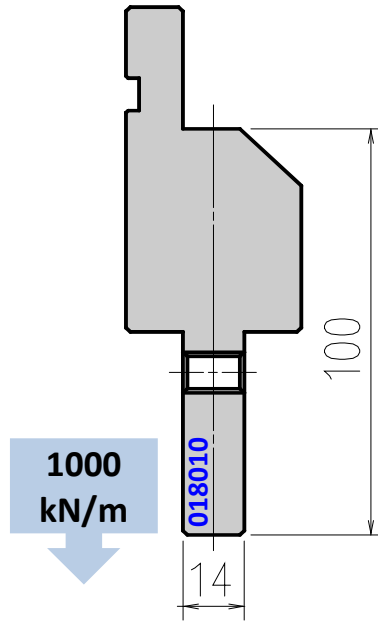
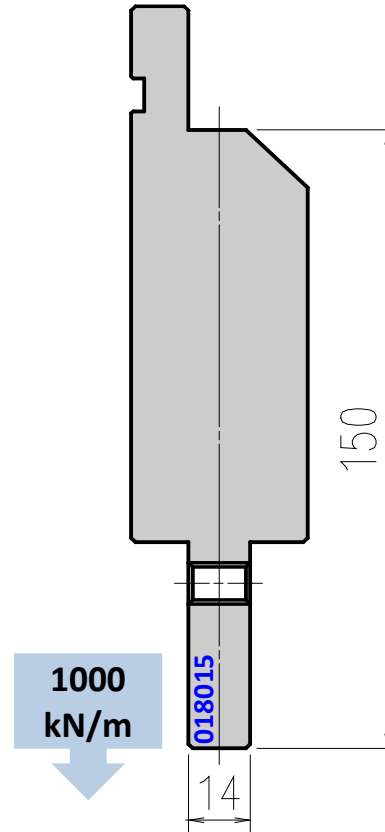


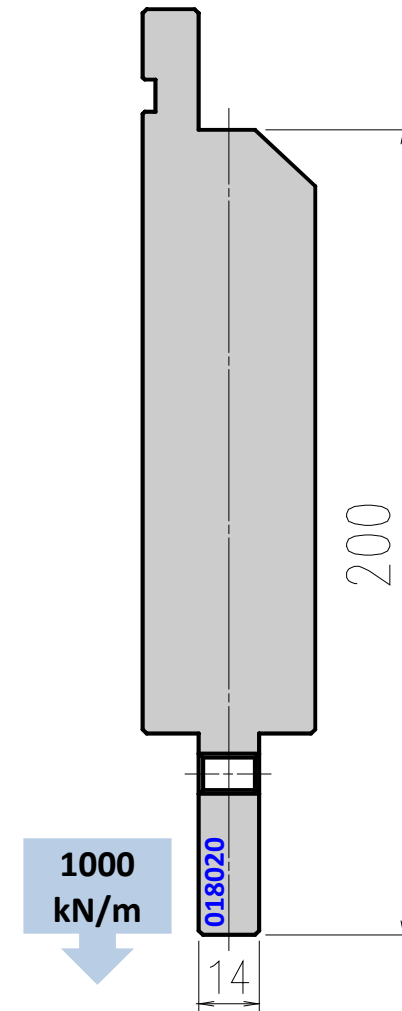
## Distance piece 100



## Distance piece 150



## Distance piece 200



**Note: Clamps are not included.**

Holder 018010 replaces old ADA100

Length mm	Item No.	Weight Kg
150	<a href="#">EH0180100</a>	3,5

Holder 018015 replaces old ADA150

Item No.	Weight Kg
<a href="#">EH0180150</a>	5,9

Holder 018020 replaces old ADA200

Item No.	Weight Kg
<a href="#">EH0180200</a>	8,5