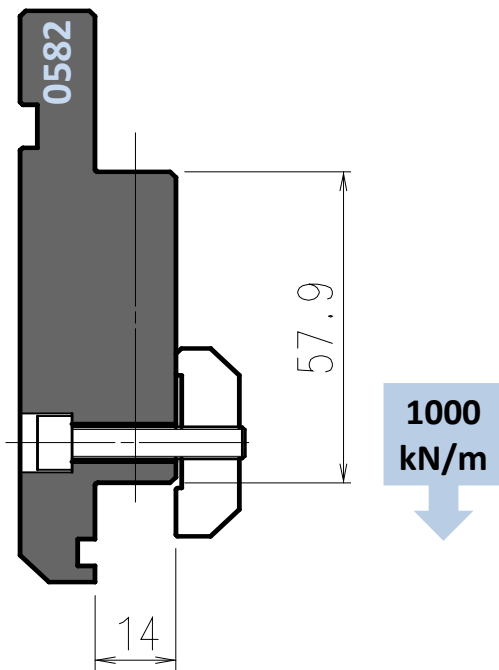


# Staged Punch Holder 0582 (to use with H120 mm punches)



Holder 0582 replaces old holder SPH582

Length mm	Item No.	Weight Kg
415	<a href="#">EH0582002</a>	7,9